

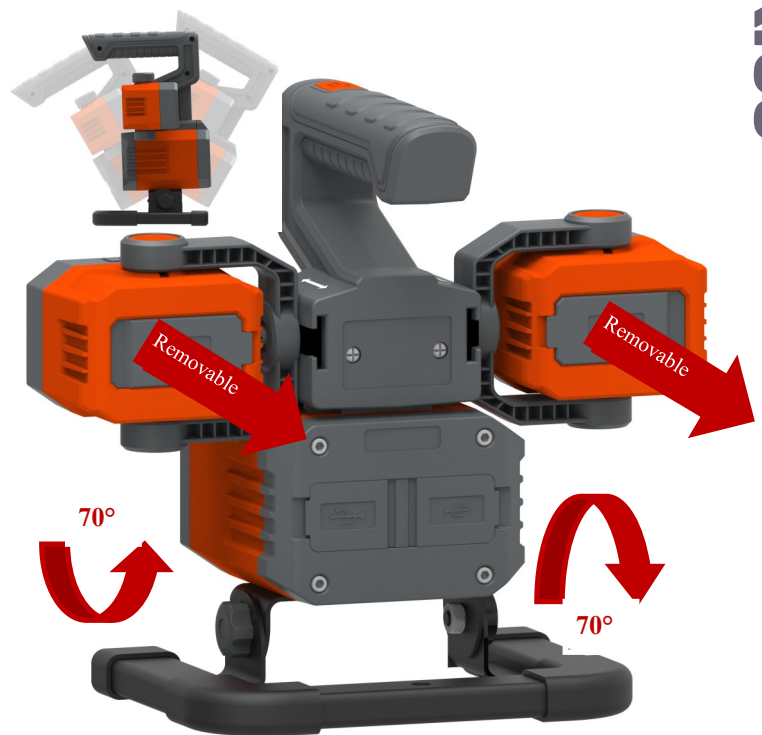
SIRIUS 6062



2000 Lumens Rechargeable LED Worklight & Spotlight

Specifications:

- **1000 Lumens Rechargeable COB Spotlight with two USB Output Ports used as Power bank. Base with 70° adjustable up & down positions. Can be attached to any Standard Camera Tripod.**
- **2 x 500 Lumens Rechargeable and Detachable SMD Worklights with dedicated USB charging cables and Power ON/OFF Push Button. 180° Swivel Joint Design and 300° rotating bracket. Each Worklight equipped with magnetic strips for hands free applications.**
- **2 X 5V - 2.1 A USB Output Ports with Dust Cover.**
- **4 x 3.7V - 1800 mAh Rechargeable Lithium ion.**
- **SMD Worklight (each unit) Runtime: 8 Hours Low Intensity - 4 Hours High Intensity.**
- **COB Spotlight Runtime: 8 Hours Low Intensity - 4 Hours High Intensity.**
- **Both Worklights and Spotlight (3 lights) can be charged simultaneously with a single USB charging cable (included) while the worklights are attached to the base. The Worklights are also can be charged independently with the Built-in 40" USB Charging Cable while they are removed from the base.**
- **Carry Handle With ON/OFF Main Power Button to Turn ON or OFF all 3 lights simultaneously.**
- **Impact and water resistant housing - IP44 Rated.**
- **Product dimensions unfolded and extended : 10 5/8" H x 11 1/2" W x 6 7/8" L.**
- **Product weight: 3.7 lbs.**



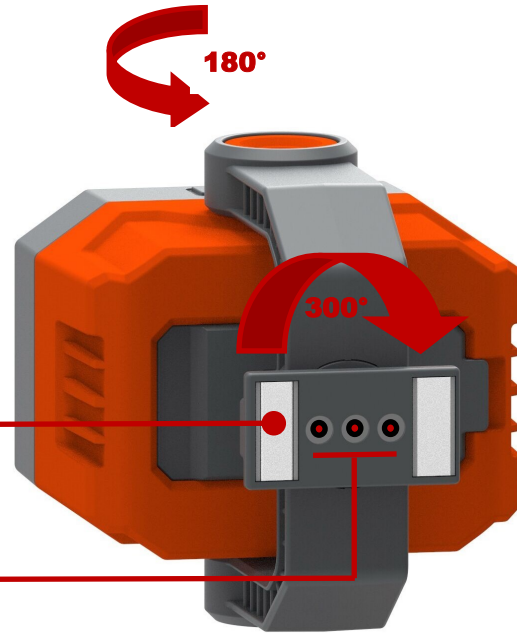
6062 SIRIUS

SIRIUS 6062



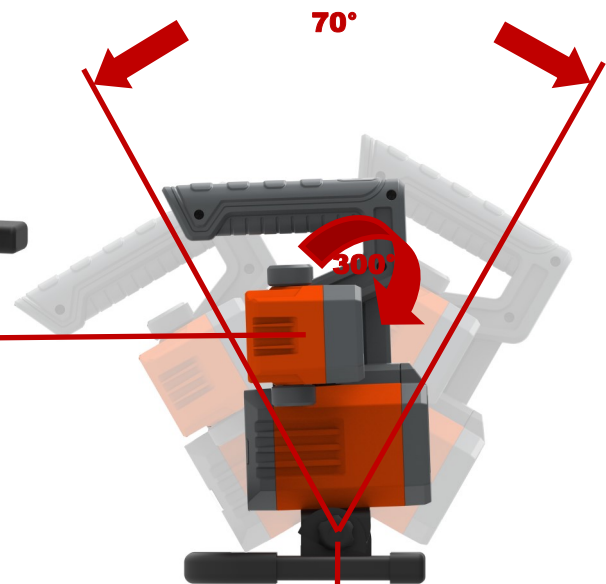
2 high power magnetic strips design configuration on each Worklight Bracket.

3 Electrical Contact Power Poles ON - OFF - CHARGING modes are controlled by the Main ON/OFF Power Button.



COB Spotlight Multi-function Adjustable Bracket with 300° rotational angles in Vertical Axis and 180° Swivel angles in Horizontal Axis .

COB Spotlight Adjustable Base Locking knob. 70° full Excursion in Vertical Axis.



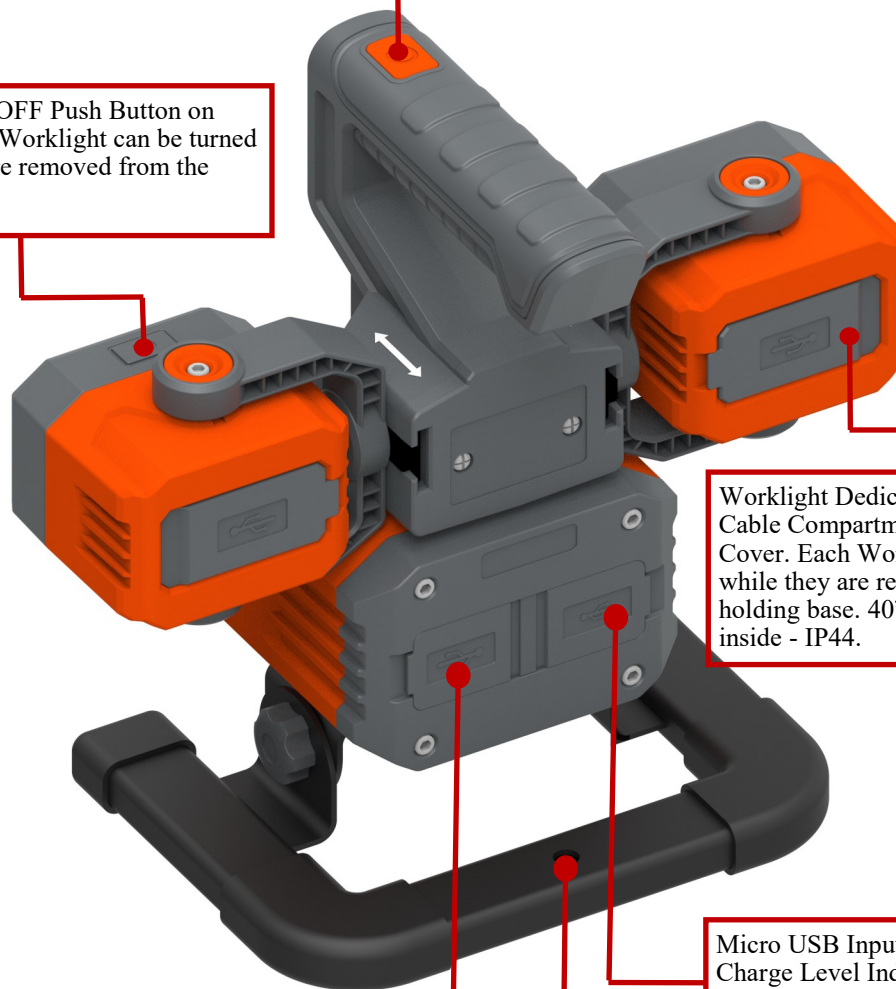
6062 SIRIUS

SIRIUS 6062



Main Power ON/OFF Push Button on the Carrying Handle. All 3 lights (2 Worklights + Spotlight) can be turned ON/OFF simultaneously.

Dedicated Power ON/OFF Push Button on each Worklight. Each Worklight can be turned ON/OFF while they are removed from the holding base.



Worklight Dedicated USB Charging Cable Compartment with Rubber Dust Cover. Each Worklight can be Charged while they are removed from the holding base. 40" USB Charging Cable inside - IP44.

Micro USB Input Port and Battery Charge Level Indicator LED with rubber Dust Cover - IP44.

2 x 5.0V - 2.1A Output Ports with rubber Dust Cover - IP44.

Universal attachment nut below for connecting standard Camera Tripods.

6062 SIRIUS